

AISI  
304

AISI  
316



# Modultek 200

**Built for demanding environments**

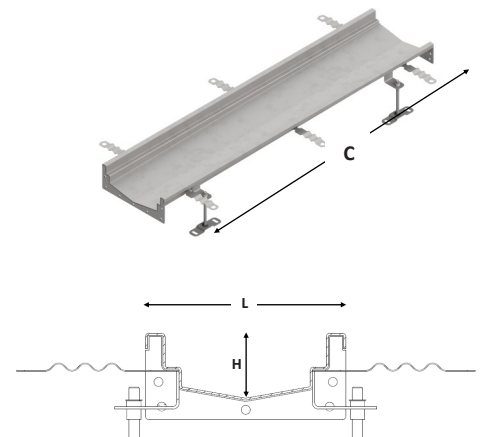
The Modultek 200 is a modular high-performance, stainless steel linear channel system engineered for flexibility and durability.

The modular system easily configures your drainage layout with a wide range of channel lengths, depths, and invert options. The drainage channels are 230mm wide and range in height from 65 to 125mm, with or without incorporated slopes. Manufactured entirely from AISI 304 or 316 stainless steel, ensuring long-lasting corrosion resistance. The V-shaped bottom for greater efficiency and channel cleanliness even at low flow rates. The NBR flanges and joints ensure the watertightness of the drainage line. A variety of grates are available, with a width of 200mm, suitable for load classes ranging from A15 to C250, according to EN1433.

## Level invert channels

aisi 304	aisi 316	C	L	H1	H2
57.42.0.C2	57.62.0.C2	500	230	65	65
57.42.0.C3	57.62.0.C3			80	80
57.42.0.C4	57.62.0.C4			95	95
57.42.0.C5	57.62.0.C5			110	110
57.42.0.C6	57.62.0.C6			125	125
57.42.1.C2	57.62.1.C2			1000	230
57.42.1.C3	57.62.1.C3	80	80		
57.42.1.C4	57.62.1.C4	95	95		
57.42.1.C5	57.62.1.C5	110	110		
57.42.1.C6	57.62.1.C6	125	125		
57.42.2.C2	57.62.2.C2	2000	230		
57.42.2.C3	57.62.2.C3			80	80
57.42.2.C4	57.62.2.C4			95	95
57.42.2.C5	57.62.2.C5			110	110
57.42.2.C6	57.62.2.C6			125	125
57.42.3.C2	57.62.3.C2			3000	230
57.42.3.C3	57.62.3.C3	80	80		
57.42.3.C4	57.62.3.C4	95	95		
57.42.3.C5	57.62.3.C5	110	110		
57.42.3.C6	57.62.3.C6	125	125		

C - length // L - width // H1 - height 1 // H2 - height 2



AISI  
304

AISI  
316

# Modultek 200

## Corner unit "L"

aisi 304	aisi 316	C	L	H1	H2
57.42.0.L2	57.62.0.L2	515	715	65	65
57.42.0.L3	57.6120.L3			80	80



## "T" Unit

aisi 304	aisi 316	C	L	H1	H2
57.42.0.T2	57.62.0.T2	515	715	65	65
57.42.0.T3	57.6120.T3			80	80



## Sloping invert channels

aisi 304	aisi 316	C	L	H1	H2
57.42.0.P2	57.62.0.P2	500	230	65	80
57.42.1.P2	57.62.1.P2	1000	230	65	80
57.42.2.P2	57.62.2.C2	2000	230	65	80
57.42.2.P3	57.62.2.C3			80	95
57.42.2.P4	57.62.2.C4			95	110
57.42.2.P5	57.62.2.C5			110	125
57.42.3.P2	57.62.3.C2			3000	230
57.42.3.P3	57.62.3.C3	80	95		
57.42.3.P4	57.62.3.C4	95	110		
57.42.3.P5	57.62.3.C5	110	125		



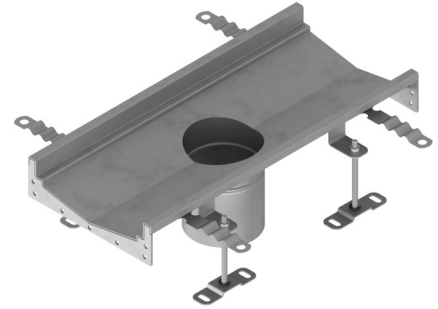
AISI  
304

AISI  
316

# Modultek 200

## 500mm gully channels—central outlet

aisi 304	aisi 316	C	L	H	DN
57.42.0.SC2	57.62.0.SC2			65	110
57.42.0.SC3	57.62.0.SC3			80	110
57.42.0.SC4	57.62.0.SC4	500	230	95	110
57.42.0.SC5	57.62.0.SC5			110	110
57.42.0.SC6	57.62.0.SC6			125	110



## 1000mm gully channels—end outlet

aisi 304	aisi 316	C	L	H	DN
57.42.1.SF2	57.62.1.SF2			65	110
57.42.1.SF3	57.62.1.SF3			80	110
57.42.1.SF4	57.62.1.SF4	1000	230	95	110
57.42.1.SF5	57.62.1.SF5			110	110
57.42.1.SF6	57.62.1.SF6			125	110



## End caps

aisi 304	aisi 316	C	L	H	DN
57A.42.TS2	57A.62.TS2			65	
57A.42.TS3	57A.62.TS3			80	
57A.42.TS4	57A.62.TS4	15	230	95	fechado
57A.42.TS5	57A.62.TS5			110	
57A.42.TS6	57A.62.TS6			125	
57A.42.TS2	57A.62.TS2			65	
57A.42.TS3	57A.62.TS3			80	
57A.42.TS4	57A.62.TS4	15	230	95	50
57A.42.TS5	57A.62.TS5			110	
57A.42.TS6	57A.62.TS6			125	



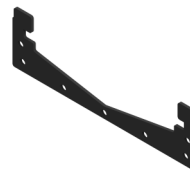
AISI  
304

AISI  
316

# Modultek 200

## NBR gasket

code	L	H	material
57A.42.J2		65	NBR
57A.42.J3		80	
57A.42.J4	230	95	
57A.42.J5		110	
57A.42.J6		125	



## DN110 Outlet Trap

aisi304	aisi316	L	H	h água
57A.41.S	57A.61.S	108	99	50



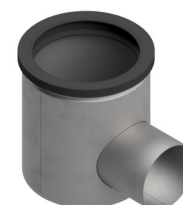
## Filter basket

aisi304	aisi316	L	H	h água
57A.41.C0	57A.61.C0	108	99	50



## Gully body—DN75 horizontal outlet

aisi304	aisi316	L	H	DN
57A.41.SH	57A.61.SH	139	155	75

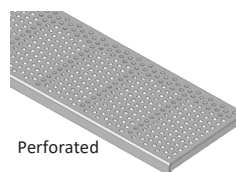


## Gratings

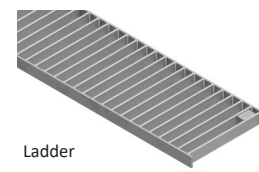
aisi304	aisi316	C	L	H	class	type
502502	502512	1000	198	25	B125	A.S. Mesh
502506	502516	500			B125	A.S. Mesh
5G.B4.200	5G.B6.200	1000			C250	Ladder
5G.B4.200M	5G.B6.200M	500			C250	Ladder
5G.C4.200	5G.C6.200	1000			C250	Slot
5G.C4.200M	5G.C6.200M	500			C250	Slot
5G.PL4.200	5G.PL6.200	1000			A15	Perforated
5G.PL4.200M	5G.PL6.200M	500			A15	Perforated
5G.PR4.200	5G.PR6.200	1000			B125	Perforated
5G.PR4.200M	5G.PR6.200M	500			B125	Perforated



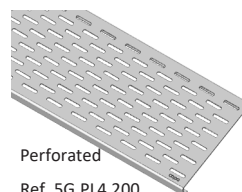
Antislip Mesh  
Ref. 502502



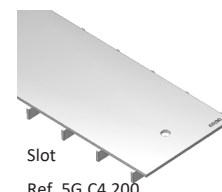
Perforated  
Ref. 5G.PR4.200



Ladder  
Ref. 5G.B4.200



Perforated  
Ref. 5G.PL4.200



Slot  
Ref. 5G.C4.200

C - length // L - width // H - height // DN - dn outlet